

MEDO Brand Air Blower

For aerobic sewage treatment system and aquatics

Model

Compact Type

LA-28B & LA-45B

Medium Type

LA-60B & LA-80B

Large Type

LA-100 & LA-120

Extra Large Type

LAM-200

Benefits include:

- Low Noise
- Low Power Consumption
- Easy Maintenance
- Unrivaled Lifetime
- Weatherproof Case IP55

Features

- **Low Power Consumption**
Highly efficient blower saves energy.
- **Quiet Technology**
High performance sound proofing gives quiet operation.
- **Easy Maintenance**
Only one screwdriver is needed for filter replacement.
- **Oilless Design Offering Both Dry and Clean Air**
- **Low Running Temperature**
Energy saving design greatly reduces heating effect.
- **Long Service Life with Linear Piston Technology**
The rated specifications enable continuous operation for over 20,000 hours.
- **Light, Compact**
Compact and ready-to-use design.
- **Easy Installation**
No earthing/grounding work is required.

Specifications

Model	LA-28B	LA-45B	LA-60B	LA-80B	LA-100	LA-120	LAM-200
Power Supply	120 V, 220 V, 230 V, 240 V AC						
Rated Frequency	50 Hz, 60 Hz						
Rated Pressure	0.11 bar (1.56 psig)		0.15 bar (2.13 psig)		0.18 bar (2.56 psig)		0.20 bar (2.84 psig)
Operating Pressure Range	0.05 - 0.2 bar (0.71 - 2.84 psig)				0.05 - 0.25 bar (0.71 - 3.56 psig)		0.05 - 0.3 bar (0.71 - 4.27 psig)
Rated Airflow	28 LPM	45 LPM	60 LPM	80 LPM	100 LPM	120 LPM	200 LPM
Power Consumption	29 W / 50 Hz 25.5 W / 60 Hz	47 W / 50 Hz 45 W / 60 Hz	64 W / 50 Hz 60 W / 60 Hz	86 W / 50 Hz 80 W / 60 Hz	100 W / 50 Hz 95 W / 60 Hz	130 W / 50 Hz 118 W / 60 Hz	215 W / 50 Hz
Weight	2.8 kg	3.0 kg	5.0 kg	5.3 kg	9.4 kg	9.4 kg	12.3 kg



Model
LA-28B
LA-45B



Model
LA-60B
LA-80B



Model
LA-100
LA-120

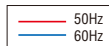


NEW

Model
LAM-200

MEDO Brand Air Blower

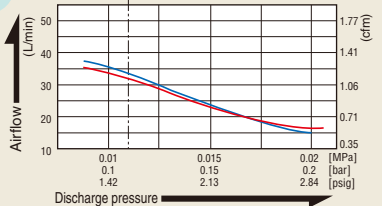
Air Flow Characteristics



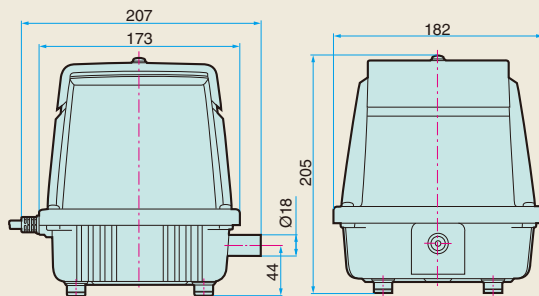
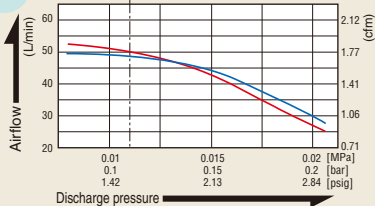
Sketch Drawing and Dimensions Diagram (mm)

Compact Type

LA-28B Rated Pressure : 0.11 bar (1.56 psig)(0.011 MPa)

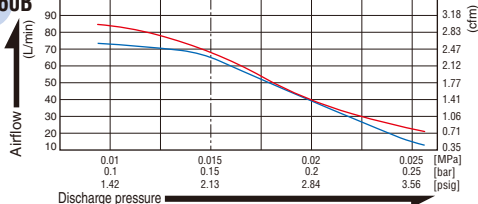


LA-45B Rated Pressure : 0.11 bar (1.56 psig)(0.011 MPa)

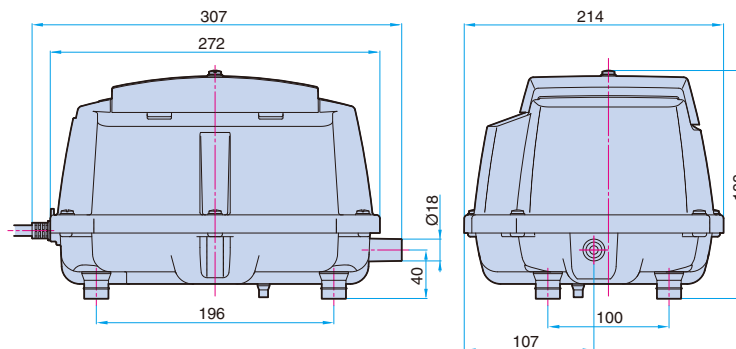
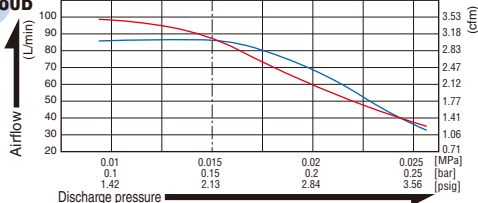


Medium Type

LA-60B Rated Pressure : 0.15 bar (2.13 psig)(0.015 MPa)

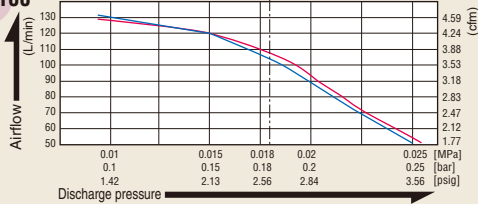


LA-80B Rated Pressure : 0.15 bar (2.13 psig)(0.015 MPa)

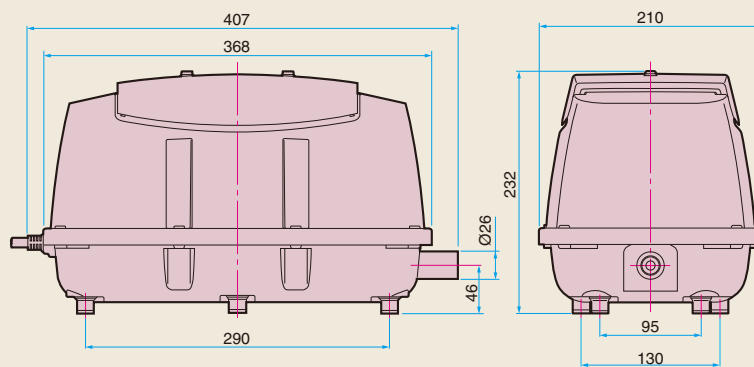
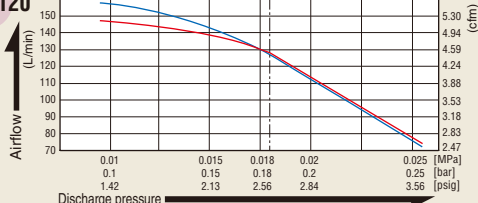


Large Type

LA-100 Rated Pressure : 0.18 bar (2.56 psig)(0.018 MPa)

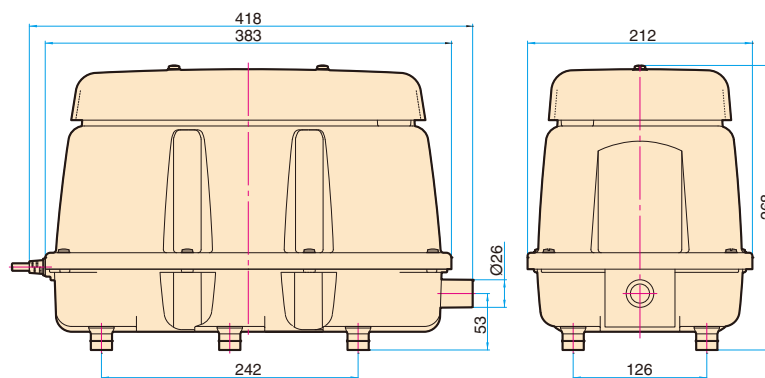
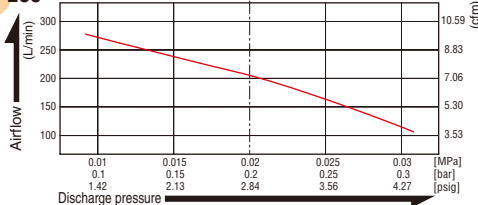


LA-120 Rated Pressure : 0.18 bar (2.56 psig)(0.018 MPa)



Extra Large Type

LAM-200 Rated Pressure : 0.2 bar (2.84 psig)(0.02 MPa)



- ★ If the unit is to be run outside the operating pressure range, consult with your supplier for advice.
- ★ Specifications and designs are subject to change at any time without notice.



Head Office
 9-4, Nakaikegami 2-chome,
 Ohta-ku, Tokyo 146-8555 Japan
 Phone : +81-3-3755-1111 Fax : +81-3-3753-8791

- ▶ E-mail : overseas@nitto-kohki.co.jp
- ▶ URL : www.nitto-kohki.co.jp/e

DISTRIBUTED BY



● For environmental conservation, this print is made of the pulp blended with waste paper and printed with soy-based inks.

Printed in Japan 09LA03-①