

DC-Motor Piston Pump

Brushless DC-Motor Piston Pump

Blower Type

Model **DP0410-X2**

NEW



DP0410-X2

Well designed features allow for use in countless applications

- High Pressure and High Flow DC-Motor Piston Pump
- Equipped with Selectable Control Feature and Self Protecting Feature

Adjustable PWM

- Controlling motor speed enables flow-pressure control

Self Protecting Feature

- Over current protection / Overload protection
The pump stops automatically if the current exceeds the acceptable current value of the pump.
- Protection against crossing wires
If the two crossing wires are connected
– connecting a positive lead wire to a negative terminal and vice versa –
the circuit is instantly protected and the pump does not operate.
- Alarm output terminal and fuse for malfunction

- Built-in Brushless-DC-Motor
- Life Expectancy : 10,000 hours
- Low noise and low power consumption
- The airflow travels through the oil-less pump
- 12 V DC

DC-Motor Piston Pump

Brushless DC-Motor Piston Pump

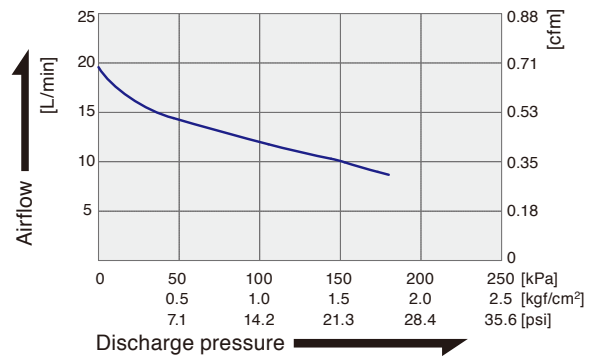
Model DP0410-X2

Specifications

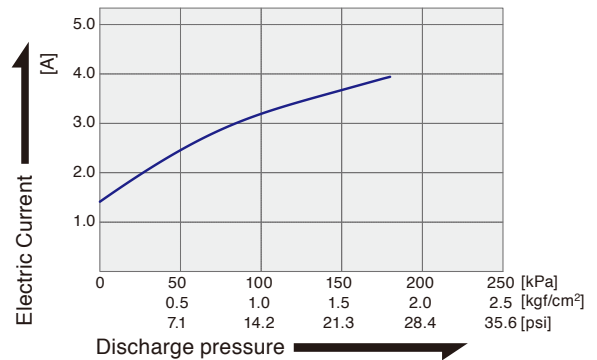
Free Air Displacement	18 L/min
Rated Voltage	12 V DC
Maximum Pressure	180 kPa (1.8 kgf/cm ²)
Maximum Current	5.0 A
Duty Cycle	Continuous
Life Expectancy	10,000 hours
Inlet and Outlet	Rc 1/8
Coil Insulation Class	E type equivalent
Mounting Dimensions	70 (L) × 45 (W) mm
Gross Weight	1.1 kg
Lead Wire Length	285 ± 20 mm



● Airflow Characteristics

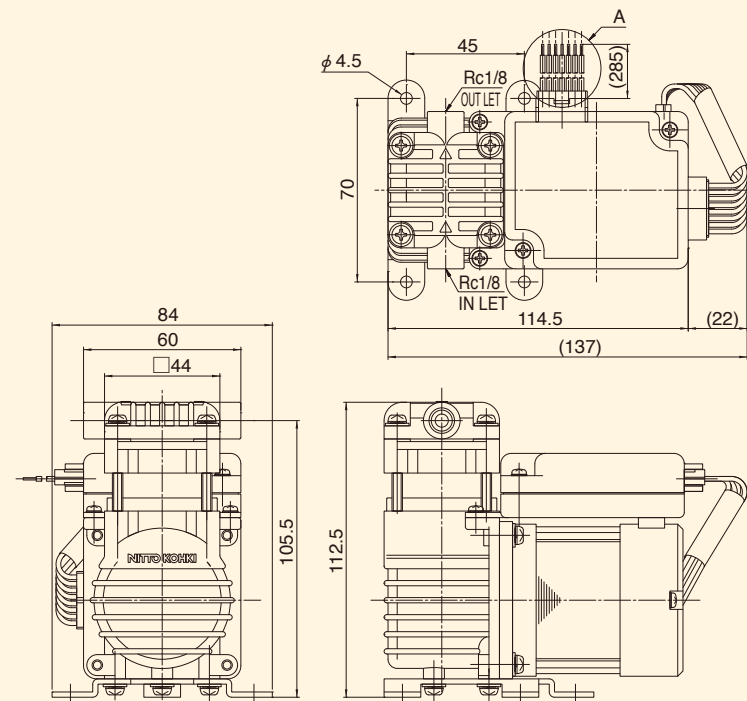


● Current Characteristics



※ The above characteristics curves are presented for reference only and not guaranteed.
 ※ The above characteristics curves are based on "Function Off" by default.
 When the control function is "ON", they will indicate the maximum performances.

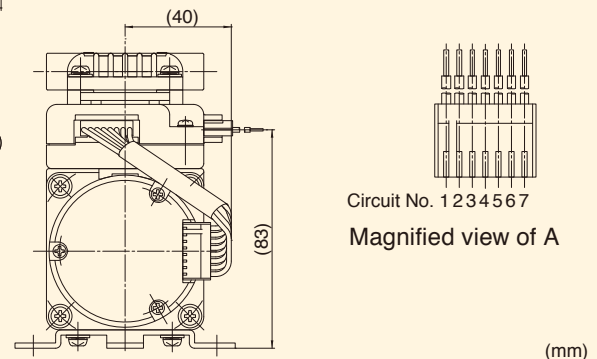
Mounting Dimensions Diagram



[Connection Table]

Circuit No.	Power Source		Control Signal				
	1	2	3	4	5	6	7
Cord Color	Red	Black	Brown	Orange	Yellow	Green	Gray
Function	V+	V-	DRIVE /FREE	PULSE	ALARM	SPEED	SGND
Option	Function Off	ON		OFF			
	Function On	ON		ON			
Cord Size	AWG20		AWG22				
Line Type	UL1007						

※ Control function is "OFF" by default.

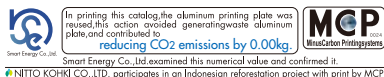


★ Specifications and designs are subject to change at any time without notice.



Head Office
 9-4, Nakaikegami 2-chome,
 Ohta-ku, Tokyo 146-8555 Japan
 Phone : +81-3-3755-1111 Fax : +81-3-3753-8791

► URL : www.nitto-kohki.co.jp/e ► E-mail : overseas@nitto-kohki.co.jp



DISTRIBUTED BY